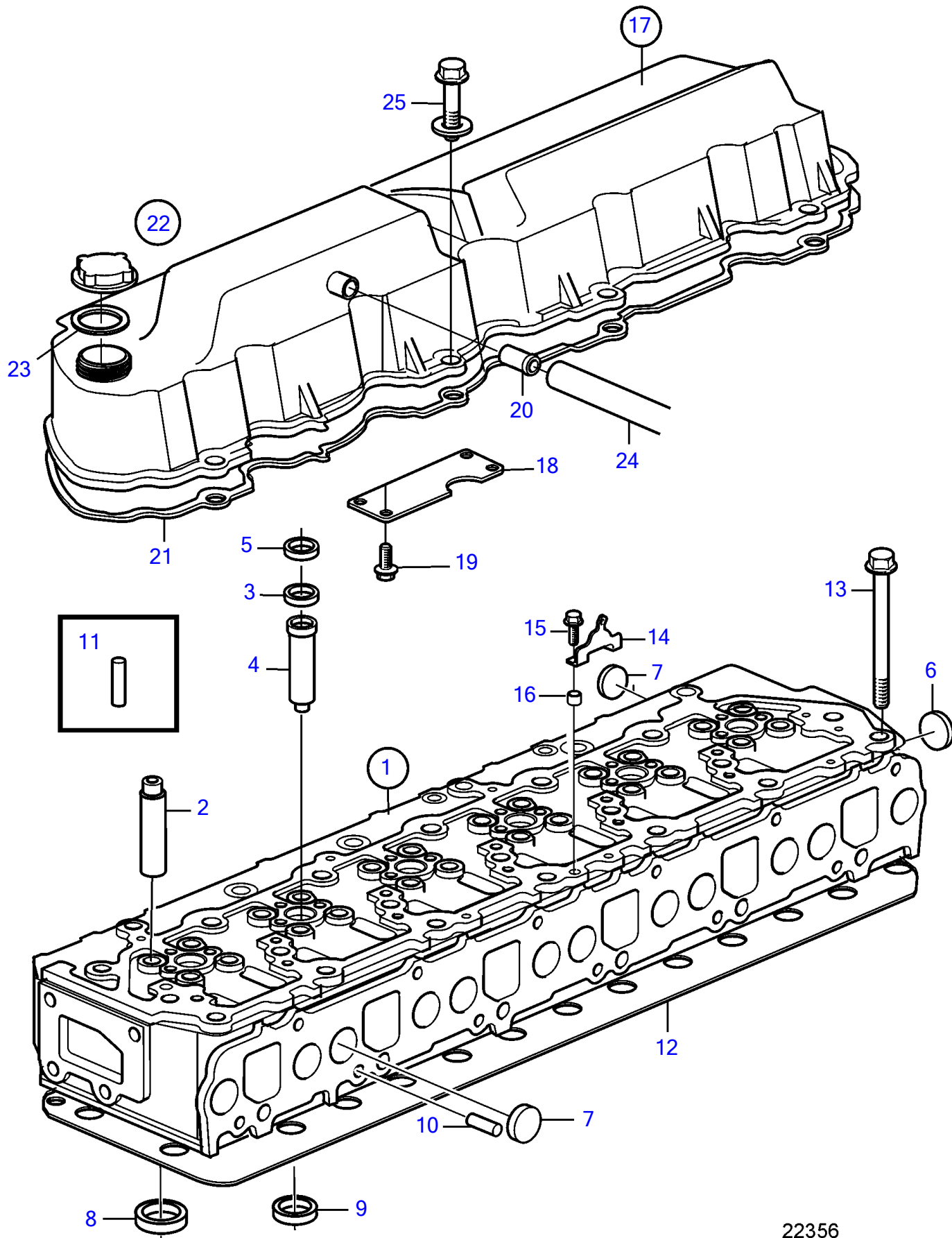


KAD44P-B, KAD44P-C, KAMD44P-B, KAMD44P-C



KAD44P-B, KAD44P-C, KAMD44P-B, KAMD44P-C

REF	PART NO.	QTY	DESCRIPTION	SEE SEC.	NOTES
1	3803309	1	Cylinder head		SN2204403254-2204409608
2	3580892	24	• Valve guide		
3	3580746	6	• Sealing ring		
4	861688	6	• Sleeve		
5	3580745	6	• Retainer		
6	968955	1	• Expansion plug		
7	477026	13	• Expansion plug		
8	3580888	12	• Valve seat, exhaust		
	3580889	12	• Valve seat, exhaust		Over size 0,20mm
9	3580890	12	• Valve seat, inlet		Std
	3580891	12	• Valve seat, inlet		Over size 0,20mm
10	19730	6	• Pin		
11	861714	12	Locating pin	2983	
12	3583786	1	Cylinder head gasket		(3582433)
13	838775	27	Flange screw		
14		2	Lifting eye		
15	946671	4	Flange screw		
16	843075	4	Spacer sleeve		
17	3581782	1	Valve cover		
18		1	• Cardboard tube		
19		4	• Flange screw		
20		1	• Connector		
21	877076	1	Gasket kit		Early type
22	1275403	1	Oil filler cap		
23	1275379	1	• Gasket		
24	3581202	1	Hose	3402	
25	969340	8	Flange screw, with washer		